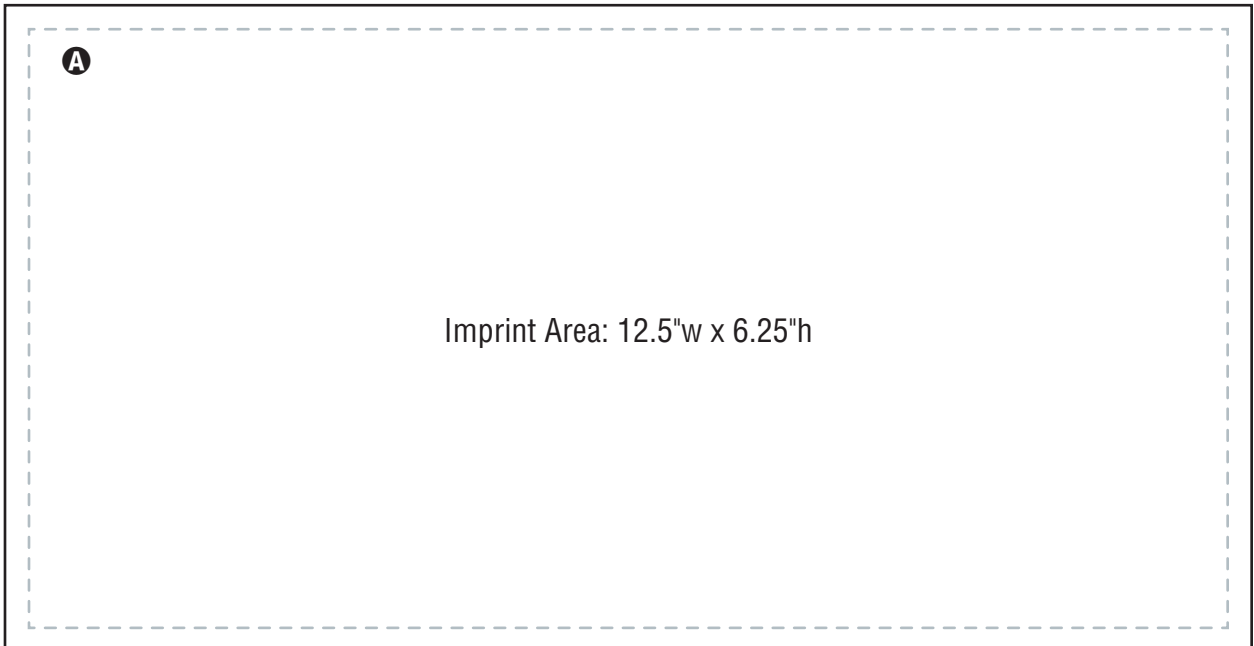
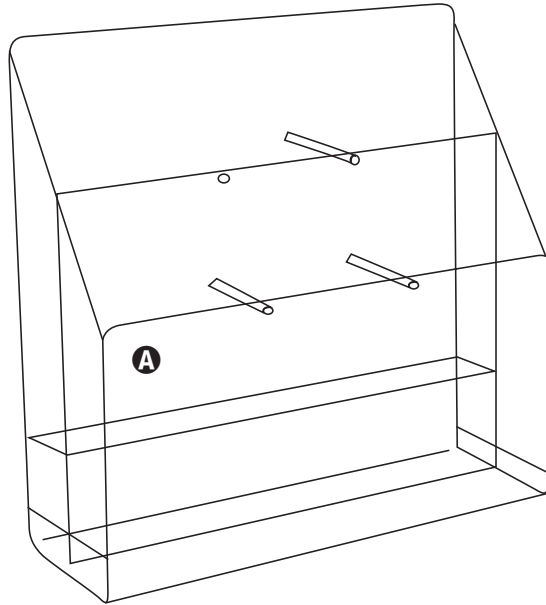


ARTWORK IMPRINT TEMPLATE

Adjustable 6-Pocket, 2-Tiered Clear Acrylic Counter Brochure Holder

Product #: FLM100218



PLEASE NOTE:

The measurements displayed on this template are approximate. The actual display may slightly vary. We recommend ordering a sample unit to work with if your imprint has very specific positioning.