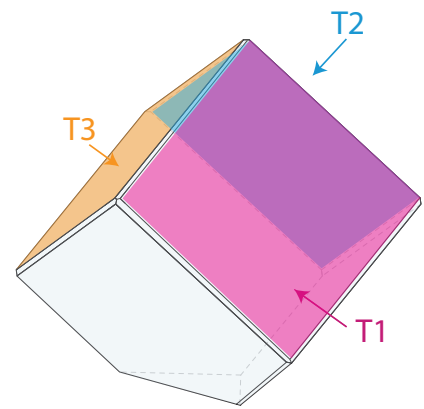


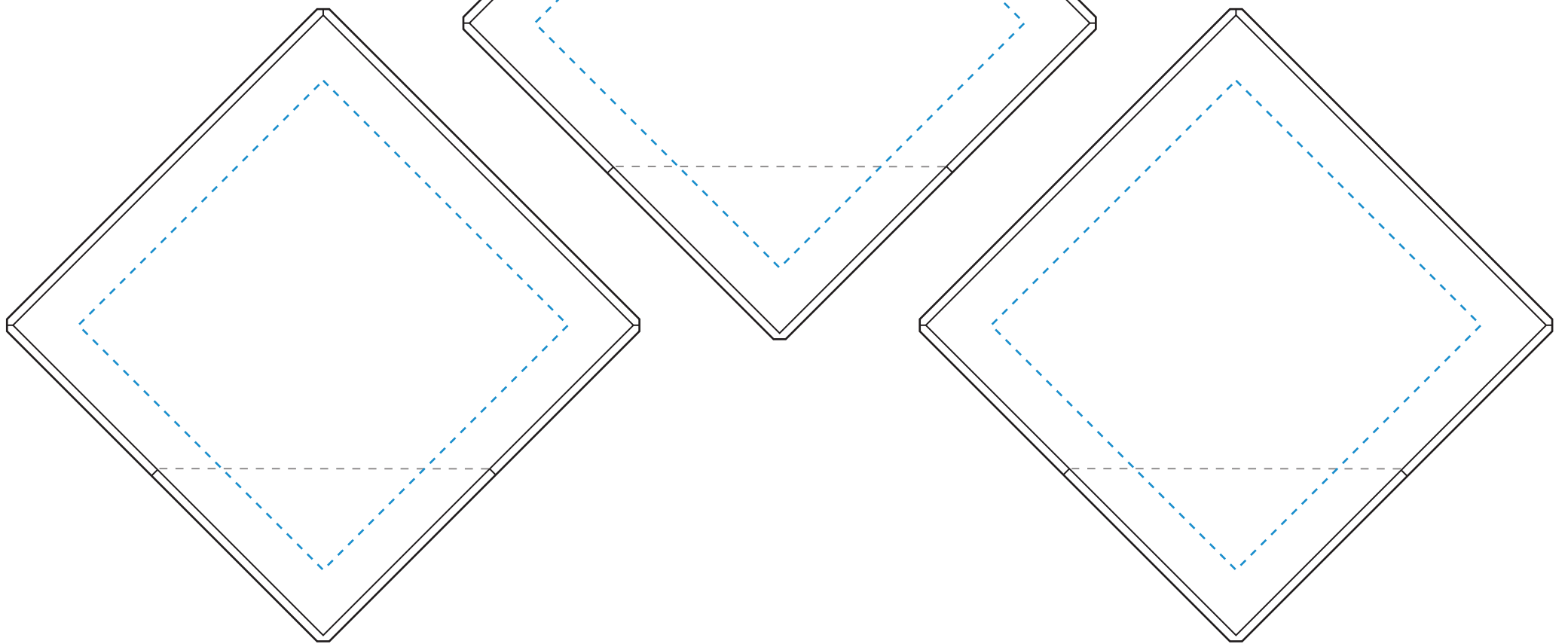
TOP LOCATIONS

TOP Location: T1
FRONT ETCH



TOP Location: T3
FRONT ETCH

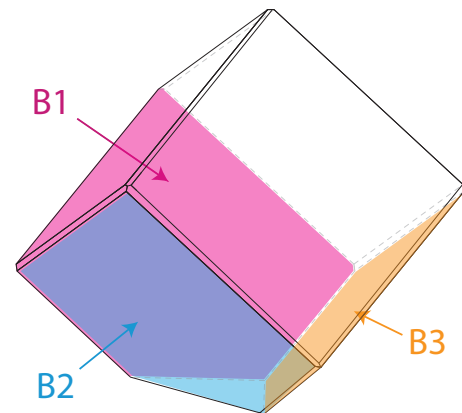
TOP Location: T2
FRONT ETCH



BOTTOM LOCATIONS

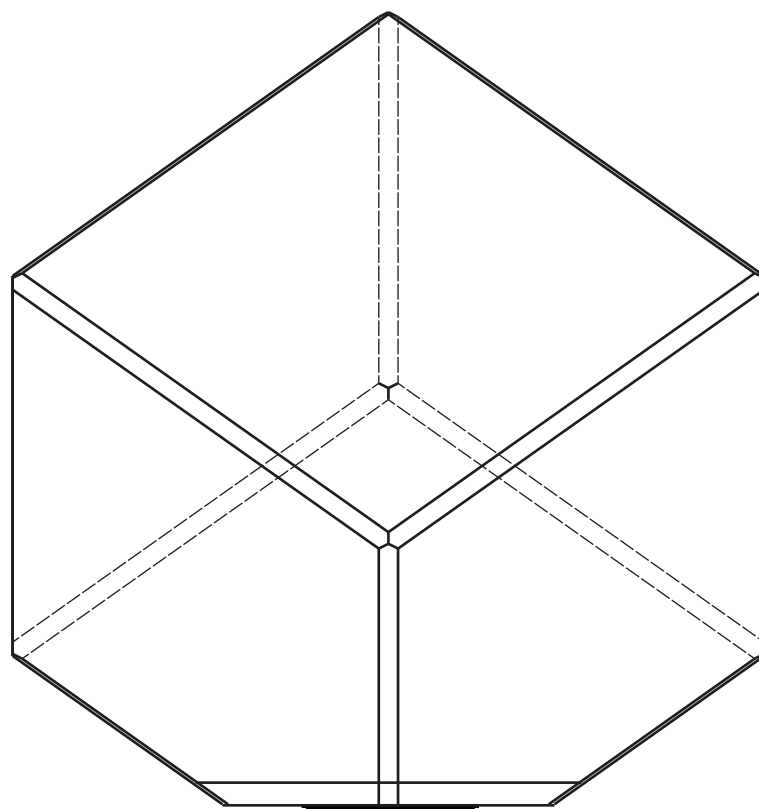
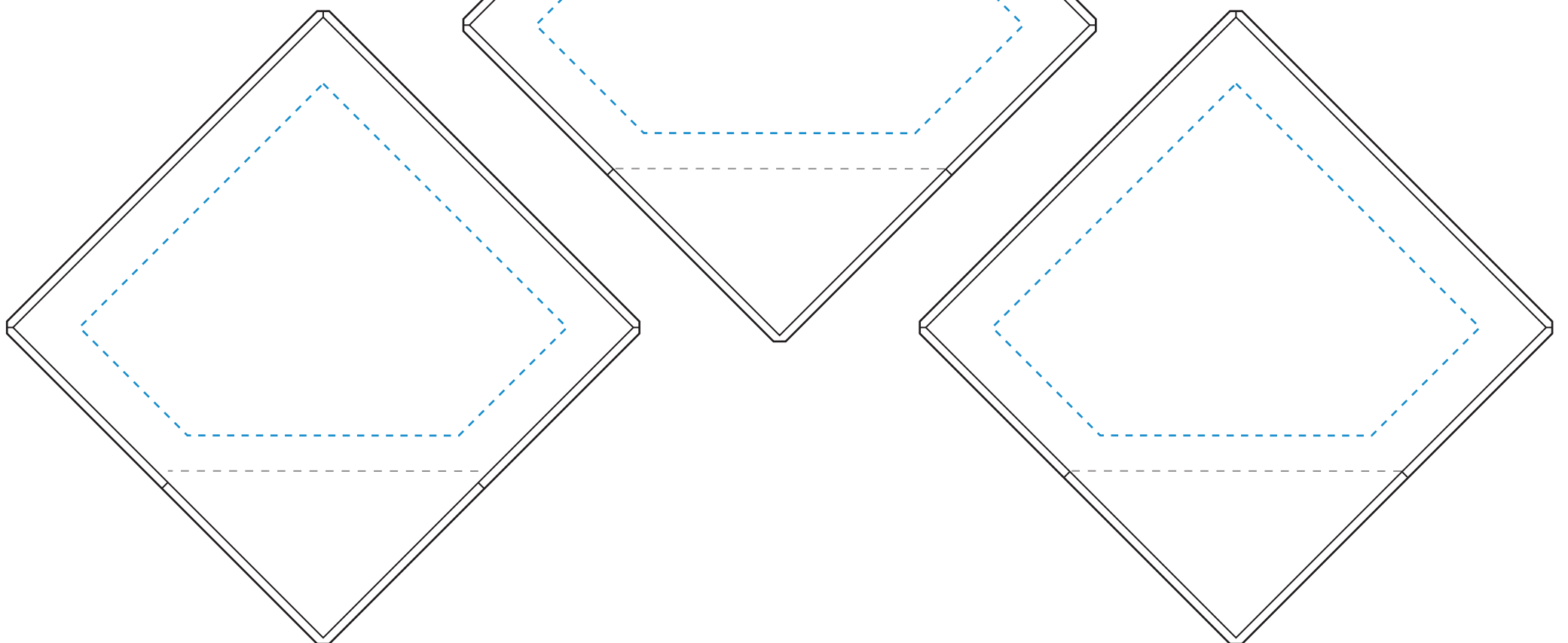
(IMAGE AREA IS SMALLER DUE TO CUT AT BOTTOM)

BOTTOM Location: B1
REVERSE ETCH

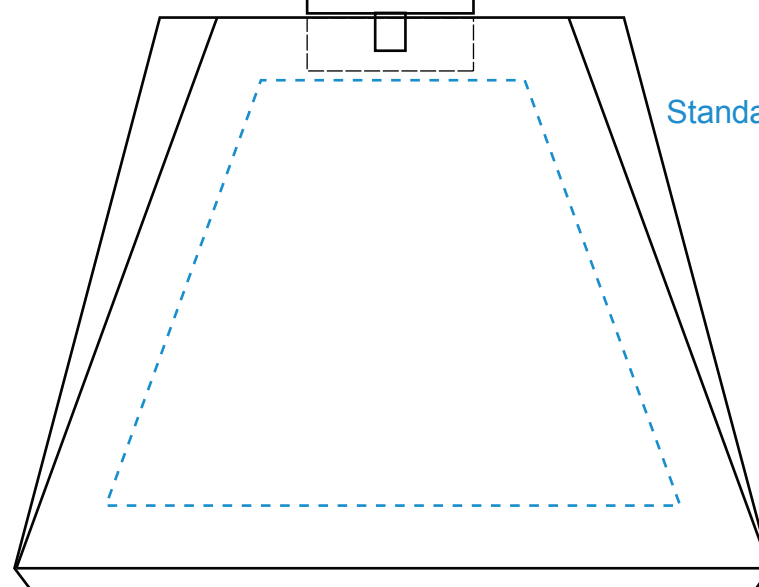


BOTTOM Location: B2
REVERSE ETCH

BOTTOM Location: B3
REVERSE ETCH



Standard Etch: Front



7155 AWARDS IN MOTION® ARDEN - 8"

Blue line represents the max image area.