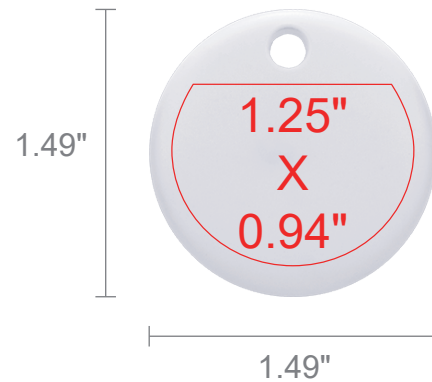


JOB#:

Date:



Product: PMS WHITE C

Imprint method: UV Full Color

*colors are close to, not exact match

Please respond to this proof as soon as possible. If we do not receive a reply after 72 hours, your order will be put in "pending" status. Failure to respond after that point will result in your order being cancelled with charges.

This is your final proof and acknowledgement of your order. It is your responsibility to verify and confirm the item style, quantity, imprint & housing color (s), layout, position, spacing, font style and spelling on this proof and inform us of any required changes before approval and returning this form. It is necessary to inform us of changes or confirm and approve this proof as soon as possible so your order will not be delayed and your delivery date can be met.

Supplier Image



SKU: STAG21

Client Artwork

Please Note

This item will be produced to the specifications in the approved proof. The supplier is not responsible for any details missed by customer. Your in-hand delivery date is determined by your approval date and submittal of PO.

Warning

Colors shown on this proof will vary from monitor to monitor. PMS colors specified for imprint colors should be confirmed with a current Pantone PMS Chart.

Due to the differences in computer configurations we cannot guarantee which way the logo will be facing when the USB drive is plugged in to the computer