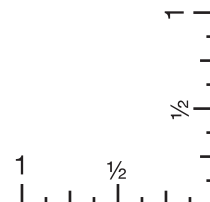
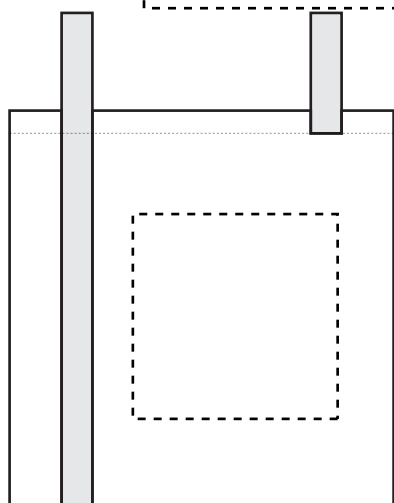


A582 Striped Economy Tote

Screen Print
Front(Standard): 8"w x 8"h (max. 2 color)

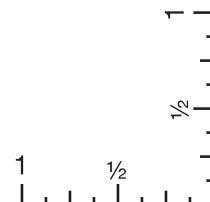
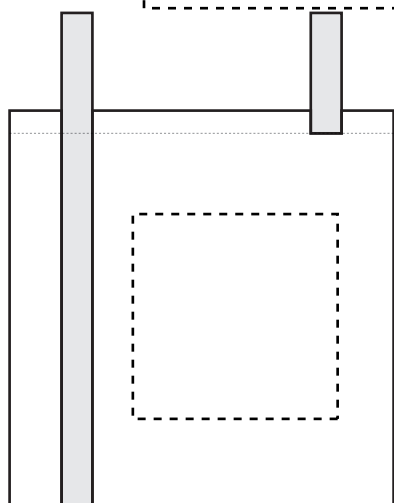
Minimum Font Size: 8 pt.
Minimum Line Weight: 1 pos / 1.5 neg
Halftones Not Available



A582 Striped Economy Tote

Screen Print
Back(Optional, add'l charge): 8"w x 8"h (max. 2 color)

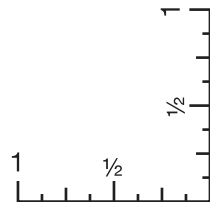
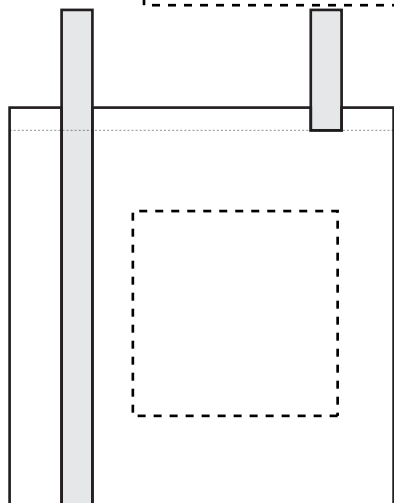
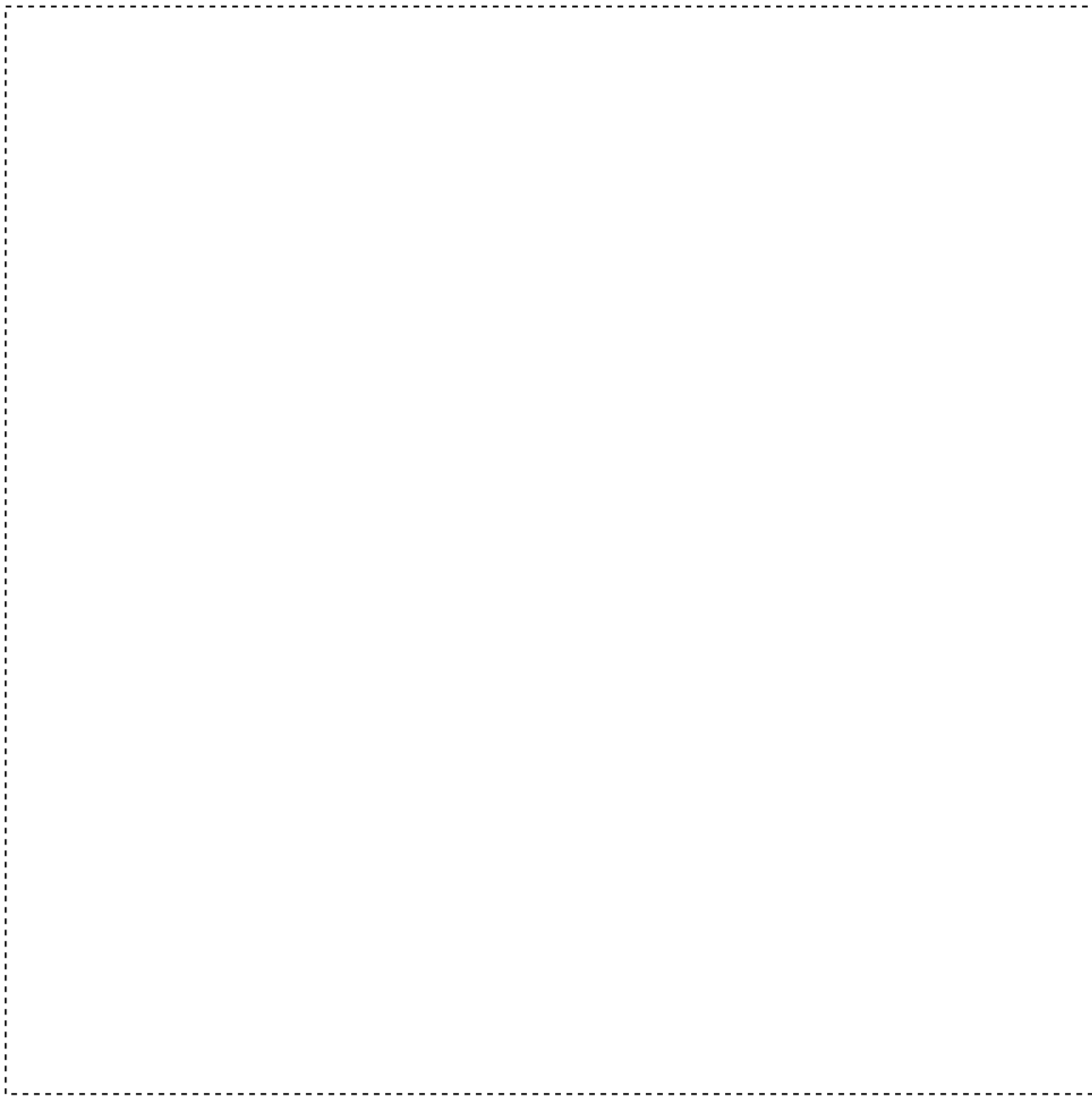
Minimum Font Size: 8 pt.
Minimum Line Weight: 1 pos / 1.5 neg
Halftones Not Available



A582 Striped Economy Tote

Full Color
Front(Optional, add'l charge): 8”w x 8”h

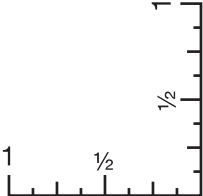
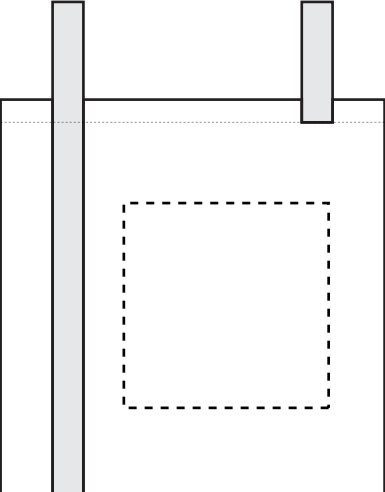
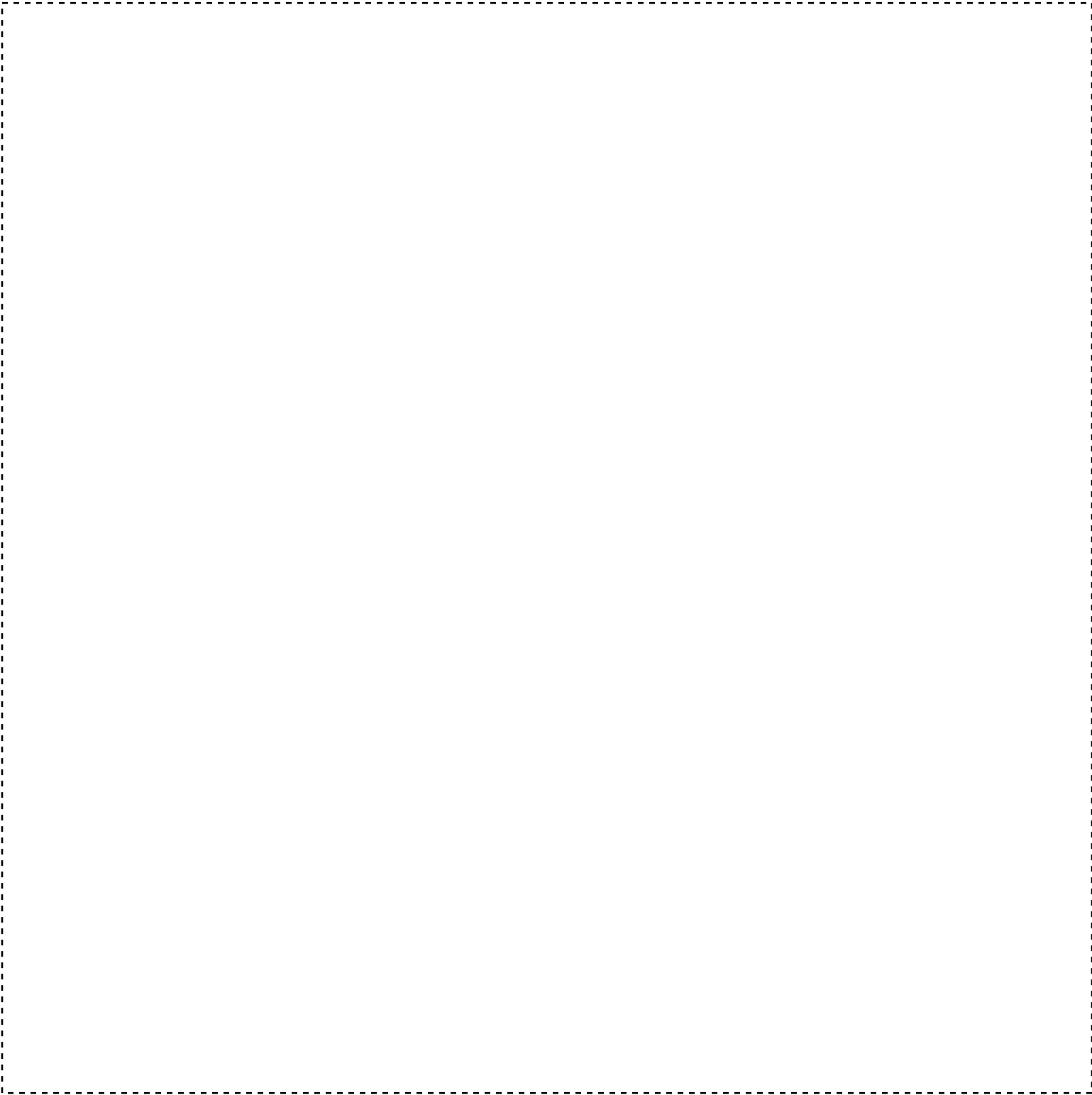
	Exterior Shape:	Interior Shape:
Min. Font Size:	Sans 8pt./Serif 10pt./Script 12pt.	Sans 5pt./Serif 6pt./Script 8pt.
Min. Line Weight:	1 pos / .75 neg	.5 pos / .75 neg
Halftones:	Available	Available



A582 Striped Economy Tote

Full Color
Back(Optional, add'l charge): 8"w x 8"h

	<u>Exterior Shape:</u>	<u>Interior Shape:</u>
Min. Font Size:	Sans 8pt./Serif 10pt./Script 12pt.	Sans 5pt./Serif 6pt./Script 8pt.
Min. Line Weight:	1 pos / .75 neg	.5 pos / .75 neg
Halftones:	Available	Available



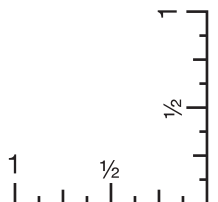
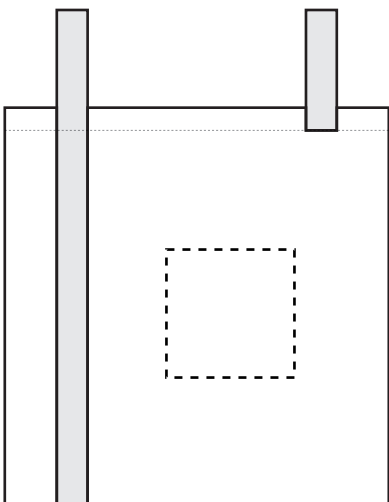
A582 Striped Economy Tote

Embroidery

Front(Optional, add'l charge): 5" w x 5" h, (max. 12 color)

Minimum Font Size: 5 mm tall, (lower case)

Minimum Line Weight: 1 mm / 2.5 pt



A582 Striped Economy Tote

Embroidery

Back(Optional, add'l charge): 5" w x 5" h, (max. 12 colors)

Minimum Font Size: 5 mm tall, (lower case)

Minimum Line Weight: 1 mm / 2.5 pt

